



26.8V, 15A高效升压转换器

26.8V, 15A Boost Converter

■ HT7179 FEATURES

- Input voltage range: 2.7V to 25V
- Output voltage range: up to 26.8V
- Internal Fixed PWM frequency: 350kHz
- Programmable switch peak current limit: up to 15A
- High Efficiency
- 95% (PVIN = 12V, VOUT=25V, IOU =2A)
- 94% (PVIN = 12V, VOUT=25V, IOU =4.5A)
- 93% (PVIN = 7.2V, VOUT=12V, IOU =1.5A)
- 90% (PVIN = 7.2V, VOUT=12V, IOU =5A)
- 96% (PVIN = 12V, VOUT=18V, IOU =1.5A)
- 95% (PVIN = 12V, VOUT=18V, IOU =6A)
- 1.0 μ A current consumption during shutdown
- Two modes with different tr/tf for EMI solution
- Programmable soft start
- Output overvoltage protection (at 28V), thermal shutdown protection
- Pb-free Packages,ESOP16, QFN3 \times 3.5-20L
- 输入电压范围: 2.7V-25V
- 输出电压范围: 最高26.8V
- 固定开关频率: 350kHz
- 可编程峰值电流: 最高15A
- 高转换效率:
- 95% (PVIN = 12V, VOUT=25V, IOU =2A)
- 94% (PVIN = 12V, VOUT=25V, IOU =4.5A)
- 93% (PVIN = 7.2V, VOUT=12V, IOU =1.5A)
- 90% (PVIN = 7.2V, VOUT=12V, IOU =5A)
- 96% (PVIN = 12V, VOUT=18V, IOU =1.5A)
- 95% (PVIN = 12V, VOUT=18V, IOU =6A)
- 低关断功耗, 关断电流1 μ A
- 支持两种tr/tf模式, 应对EMI挑战
- 可编程软启动
- 输出过压 (28V)、热关断等保护
- ESOP16, QFN3 \times 3.5-20L无铅封装

■ HT7179 APPLICATIONS

- Wireless/ Speakers
- Portable Speakers
- Power Bank
- Chargers
- Power Interface (USB Type-C, Thunderbolt)
- POS Terminal
- Tablet PC/Note Book
- 无线音箱
- 便携式音箱
- 移动电源
- 充电设备
- USB TYPE-C 电源传输
- 拉杆音箱
- 平板电脑, 笔记本电脑
- POS机终端



■ HT7179 DESCRIPTION

The HT7179 is a high-power density, asynchronous boost converter with a 20mΩ power switch to provide a high efficiency and small size solution in portable systems. The HT7179 has wide input voltage range from 2.7 V to 25 V to support applications with single cell, two cell Lithium batteries and 12V lead-acid batteries. The device has 15A switch current capability and can provide an output voltage up to 26.8V.

The HT7179 also implements a programmable soft-start function and an adjustable switching peak current limit function. HT7179 integrates two modes with different tr/ff to balance different requirements of EMI and efficiency.

In addition, the device provides 28V output overvoltage protection, and thermal shutdown protection.

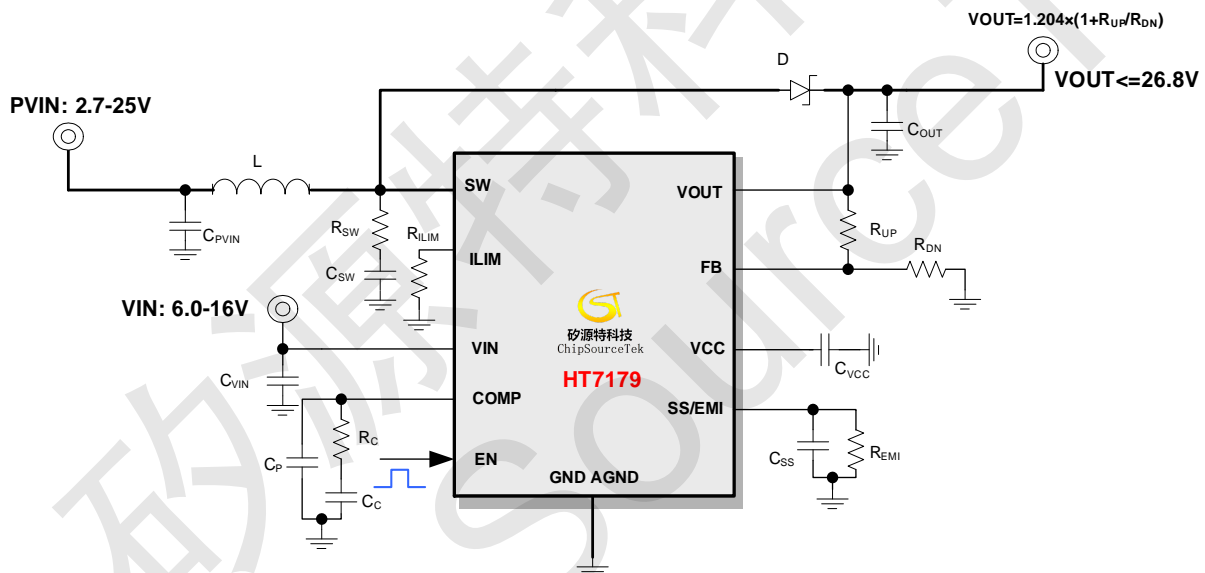
HT7179是一款高功率异步升压转换器，集成20mΩ功率开关管，为便携式系统提供高效的小尺寸解决方案。

HT7179具有2.7V至25V宽输入电压范围，可为采用单节或两节锂电池，或12V铅酸电池的应用提供支持。该器件具备15A开关电流能力，并且能够提供高达26.8V的输出电压。

HT7179还支持可编程的软启动，以及可调节的开关峰值电流限制。HT7179还支持两种不同的tr/ff，以适应不同的EMI和效率需求。

此外，该器件还提供有28V输出过压保护、和热关断保护。

■ HT7179 TYPICAL APPLICATION

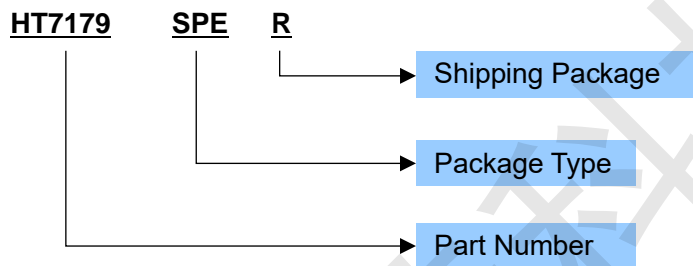




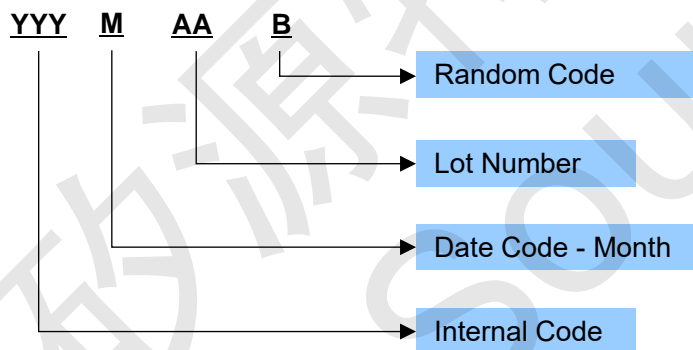
■ HT7179 ORDERING INFORMATION

Ordering Number	Package Type	Marking	Operating Temperature Range	Shipping Package / MOQ
HT7179SPER	ESOP16	HT7179 YYYMAAB ¹	-40℃~85℃	Tape and Reel / 2500pcs
HT7179SPET	ESOP16	HT7179 YYYMAAB	-40℃~85℃	Tube / 50pcs
HT7179DNR	QFN3.5x4.5-20L	HT7179 YYYMAAB	-40℃~85℃	Tape and Reel / 5000PCS

Ordering Number

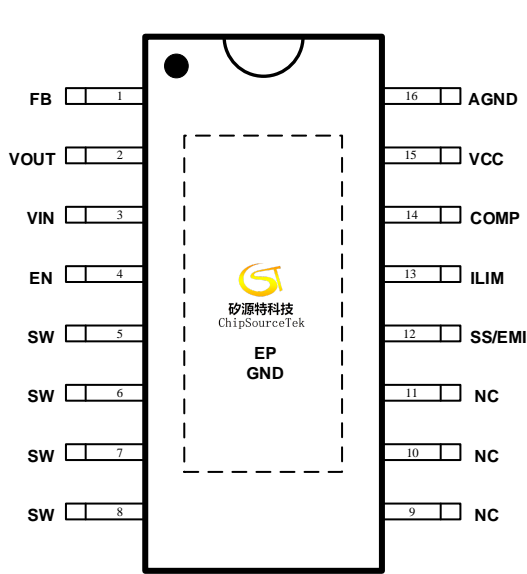


Production Tracking Code

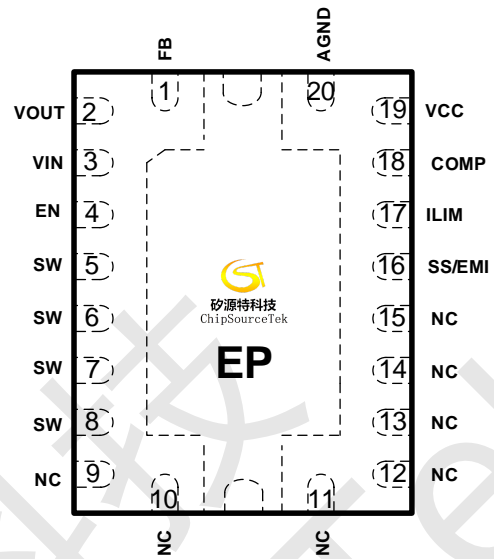




HT7179 TERMINAL CONFIGURATION



SPE (ESOP16) Top View



DNE (DFN20L) Top View

HT7179 TERMINAL FUNCTION

Terminal No.	Name	I/O ¹	Description
1	FB	I	Voltage feedback. 电压反馈
2	VOUT	P	Output pin. 输出电压
3	VIN	P	IC power supply input. 电源供电
4	EN	I	Enable logic input. Logic high level enables the device. Logic low level disables the device and turns it into shutdown mode. 使能输入, 高电平芯片工作; 低电平芯片进入关断状态
5,6,7,8	SW	P	The switching node pin of the converter. 开关转换端
9,10,11	NC	/	No internal connection, connect to GND. 内部无连接, 可连接到地
12	SS/EMI	O	Soft-start programming pin. An external capacitor C _{ss} connected to ground sets the ramp rate of the internal error amplifier's reference voltage during soft-start, 100nF is usually recommended. 软启动时间设置, 接电容C _{ss} 到地, 一般建议用100nF Also used as mode setting for different tr/ta, an external resistor connected to ground sets a flatter tr/ta. 同时作为tr/ta设置脚, 当同时外接1个330k电阻到地时, 选择较缓的tr/ta
13	ILIM	I	Adjustable switch peak current limit. An external resistor should be connected between this pin and the AGND pin. 峰值电流设置端, 接电阻到地
14	COMP	O	Output of the internal error amplifier, the loop compensation network should be connected between this pin and the AGND pin. 环路补偿端
15	VCC	O	Output of the internal regulator. A ceramic capacitor of 1uF is required between this pin and ground. 内部整流输出, 外接1uF电容到地
16	AGND	G	Analog ground of the IC. 模拟地
EP	GND	G	Provides both electrical and thermal connection from the device to the board. A matching ground pad must be provided on the PCB and the device connected to it via solder. For proper electrical operation, this ground pad must be connected to the system ground. 既是地, 又是散热PAD



IMPORTANT NOTICE

注意

ShenZhen ChipSourceTek Technology Co., Ltd (CST) reserves the right to make corrections, modifications, enhancements, improvements, and other changes to its products and services at any time and to discontinue any products or services. Customers should obtain the latest relevant information before placing orders and should verify that such information is current and complete.

深圳市矽源特科技有限公司（以下简称CST）保留对产品、服务、文档的任何修改、更正、提高、改善和其他改变，或停止提供任何产品和服务的权利。客户在下单和生产前应确保所得到的信息是最新、最完整的。

CST assumes no liability for applications assistance or customer product design. Customers are responsible for their products and applications using CST components.

CST对相关应用的说明和协助以及客户产品的板级设计不承担任何责任。

CST products are not authorized for use in safety-critical applications (such as life support devices or systems) where a failure of the CST product would reasonably be expected to affect the safety or effectiveness of that devices or systems.

CST的产品并未授权用于诸如生命维持设备等安全性极高的应用中。

The information included herein is believed to be accurate and reliable. However, CST assumes no responsibility for its use; nor for any infringement of patents or other rights of third parties which may result from its use.

本文中的相关信息是精确和可靠的，但CST并不对其负责，也不对任何可能的专利和第三方权利的侵害负责。

Following are URLs and contacts where you can obtain information or supports on any CST products and application solutions: